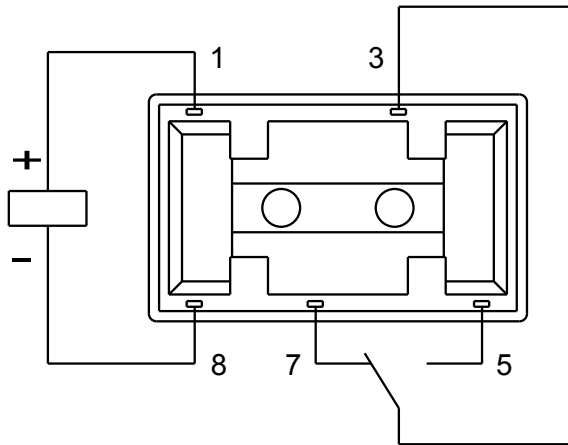
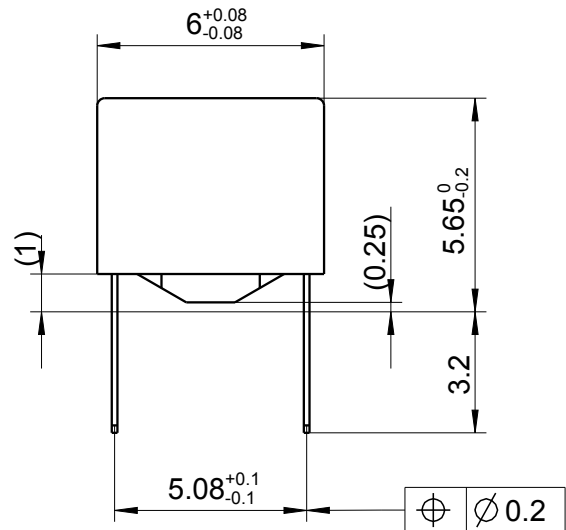
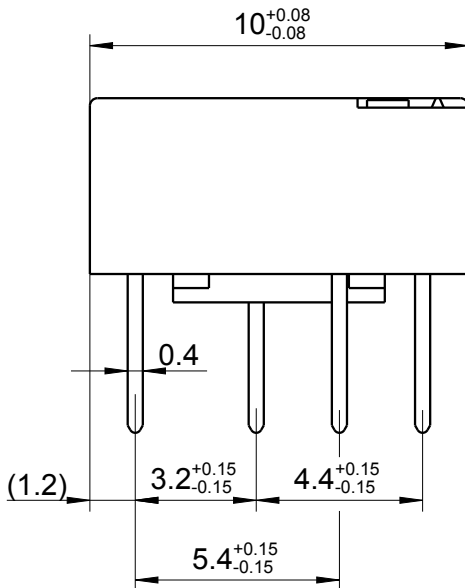


LOC	DIST	REVISIONS					
		P	LTR	DESCRIPTION	DATE	DWN	APVD
HJ	-		A2	REVISED PER ECO-11-005150	25MAR2011	UKo	AK
			A3	REVISED PER ECR-13-014508 (TE-Logo)	16SEP2013	UKo	AK



Relay - bottom view



XX = Relay type  
 zz = nominal voltage  
 YYWW = Date code

RELEASED FOR PUBLICATION

ALL RIGHTS RESERVED.

THIS DRAWING IS UNPUBLISHED.

© COPYRIGHT 2008

DIMENSIONS: <b>mm</b>	DWN UKo 9193	18JUN2008	MATERIAL	-	FINISH	-
	CHK HD 9121	18JUN2008	<b>TE</b> TE Connectivity			
TOLERANCES UNLESS OTHERWISE SPECIFIED: DIN 7168-m	APVD HD 9121	18JUN2008				
0 PLC ±	PRODUCT SPEC	-	<b>IMC-Relay THT (1 Form C) Dimensions</b>			
1 PLC ±	APPLICATION SPEC	-				
2 PLC ±	WEIGHT	-	SIZE	CAGE CODE	DRAWING NO	RESTRICTED TO
3 PLC ±			<b>A4</b>	00779	<b>C</b> -1462042-1	-
4 PLC ±			CUSTOMER DRAWING			SCALE
ANGLES ±						<b>5:1</b>
						SHEET
						<b>1</b> OF <b>1</b>
						REV
						<b>A3</b>